



KZONE

KZONE computer designed for Johnny G Krankcycle® by Matrix

Caution!

Read all precautions and instructions in this manual before you begin using this equipment. Please keep this manual for future reference.

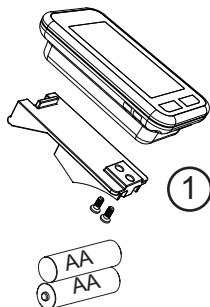
Improper assembly, use or maintenance can void the warranty terms.



PARTS

Computer console

Art.no.: 020121KC
Art.no.: 020122KC



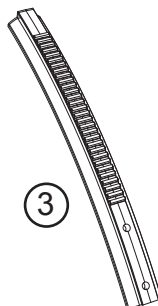
Wireless cadence transmitter

Art.no.: 020123KC



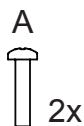
Computer mounting bracket

Art.no.: 020126KC

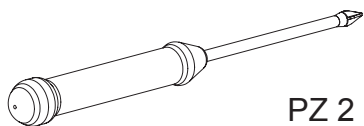


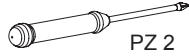
Magnet

Art.no.: 020124



M5 x 25





PZ 2



hand tight

ASSEMBLY

1

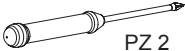
The channel transmitting the cadence signal from the transmitter to the computer console is preset. A sticker on the housing indicates the preset channel on the computer & transmitter.

The channel can manually be changed. To avoid cross reading please assure a clearance of 52'' (1.3m) between components set on identical channels or simply swap to another channel (page 7, picture 10).

To assure that the digital cadence signal is synchronized, please check if the channel setting on the computer console corresponds with the setting of the cadence transmitter.

Please view picture no. 2 and 3.

2

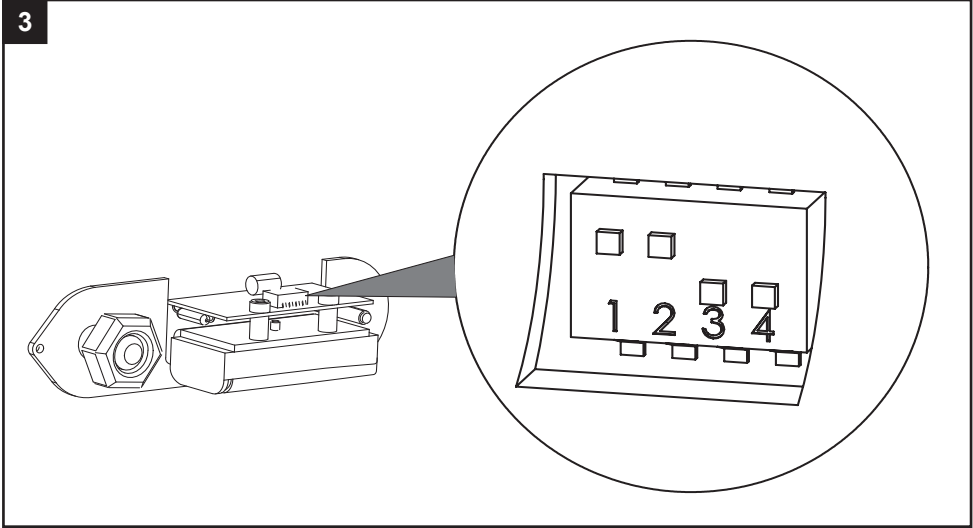


PZ 2

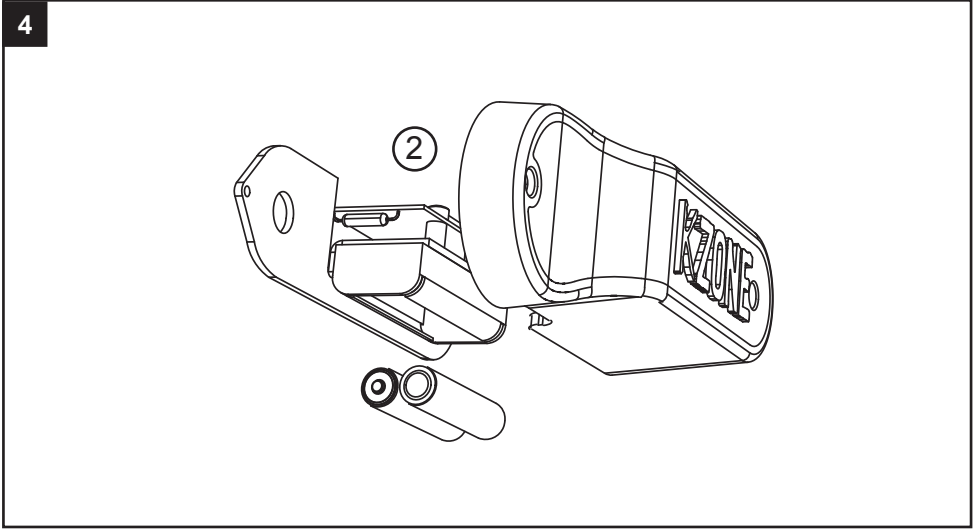


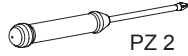
hand tight

3



4



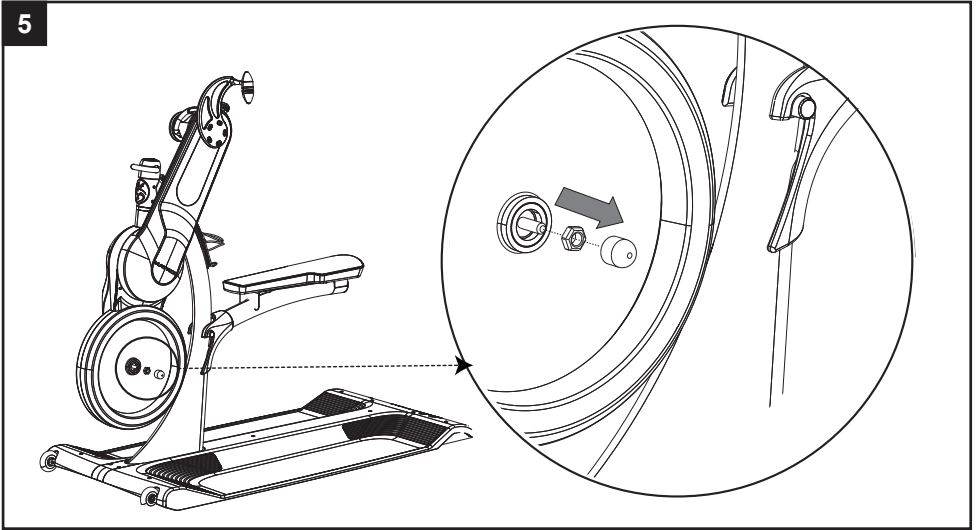


PZ 2

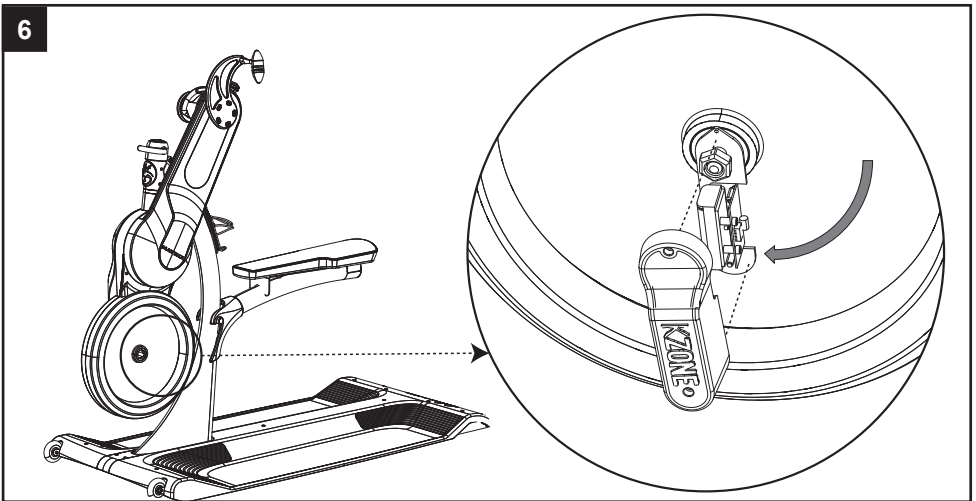


hand tight

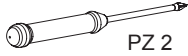
ASSEMBLY



Transmitter Assembly: Remove nut cover and nut on flywheel.



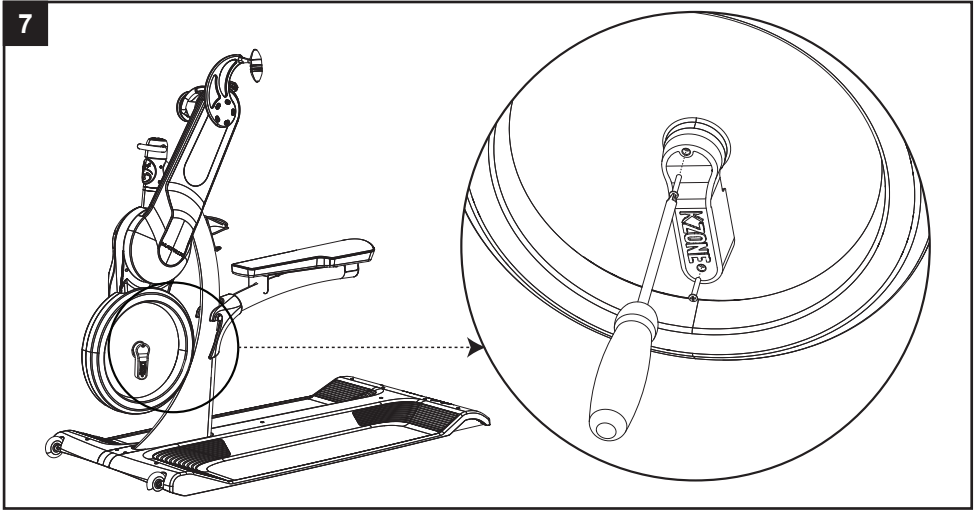
Transmitter Assembly: Remove transmitter cover and secure transmitter plate onto flywheel and replace nut. Rotate transmitter down as shown. Do not overtighten. Tighten just until thread passes the Nyloc.



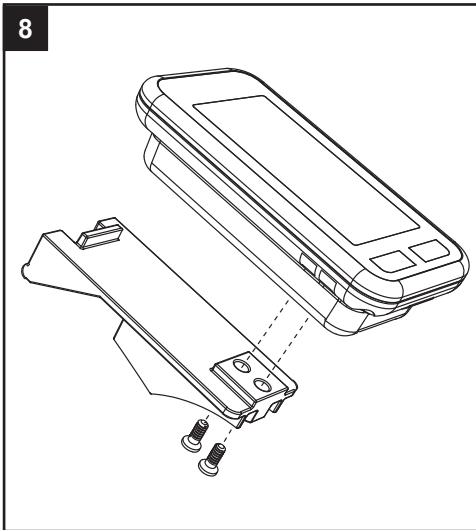
PZ 2



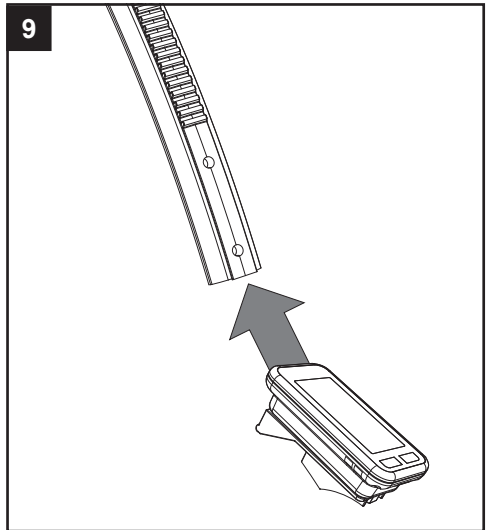
hand tight



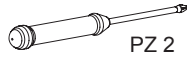
Transmitter Assembly: Secure transmitter cover using supplied screws.



Computer Assembly: Attach console bracket to computer console.



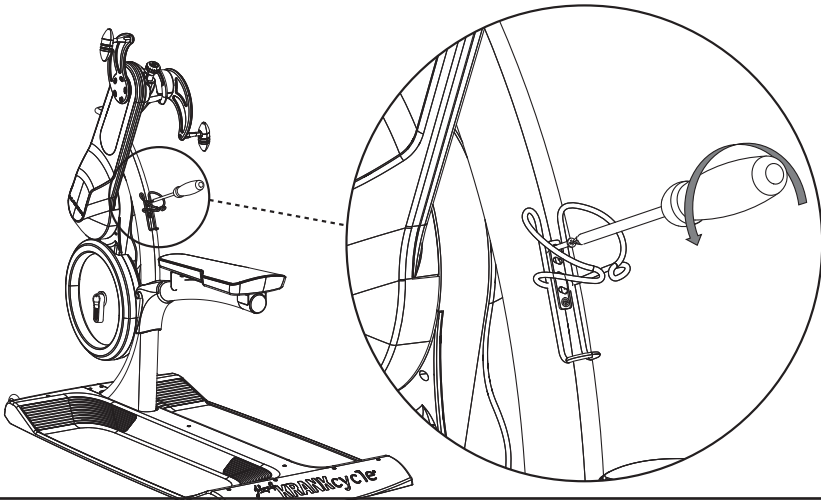
Computer Assembly: Slide computer console bracket onto frame bracket from bracket base.



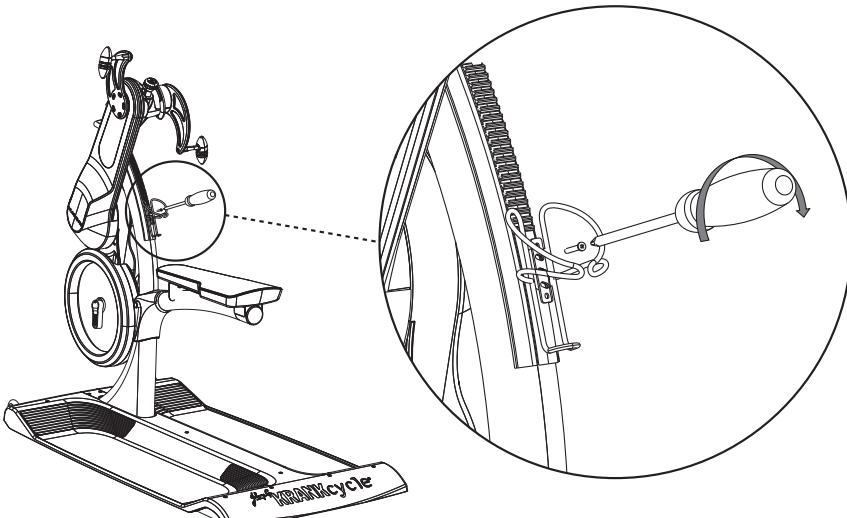
PZ 2



hand tight

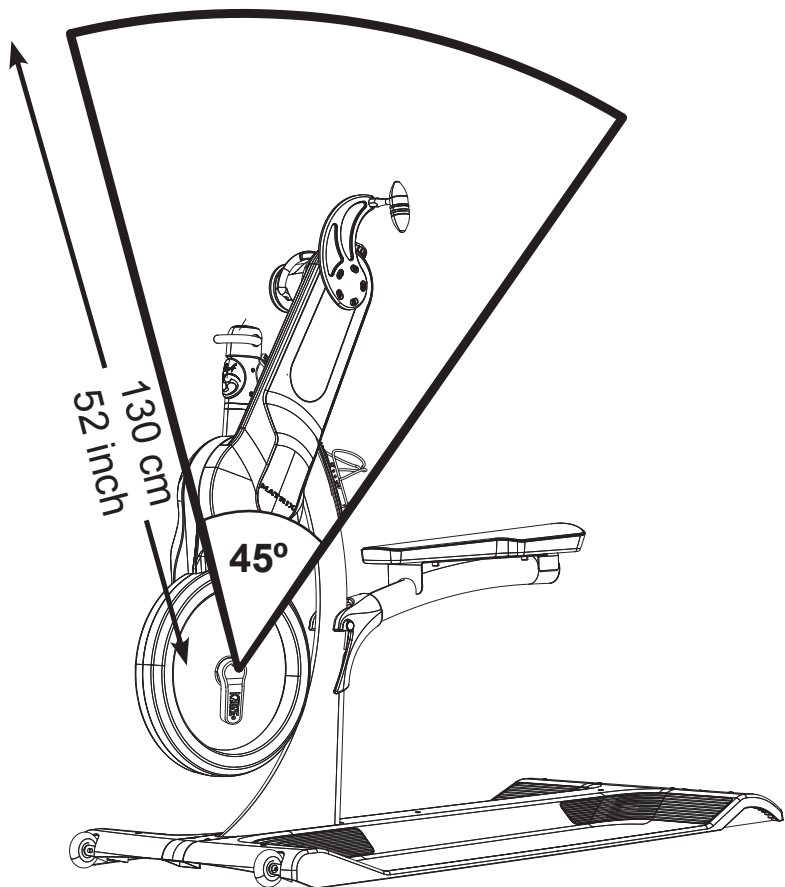
ASSEMBLY**10**

Frame Bracket Assembly: Remove screws from water bottle cage and remove cage.

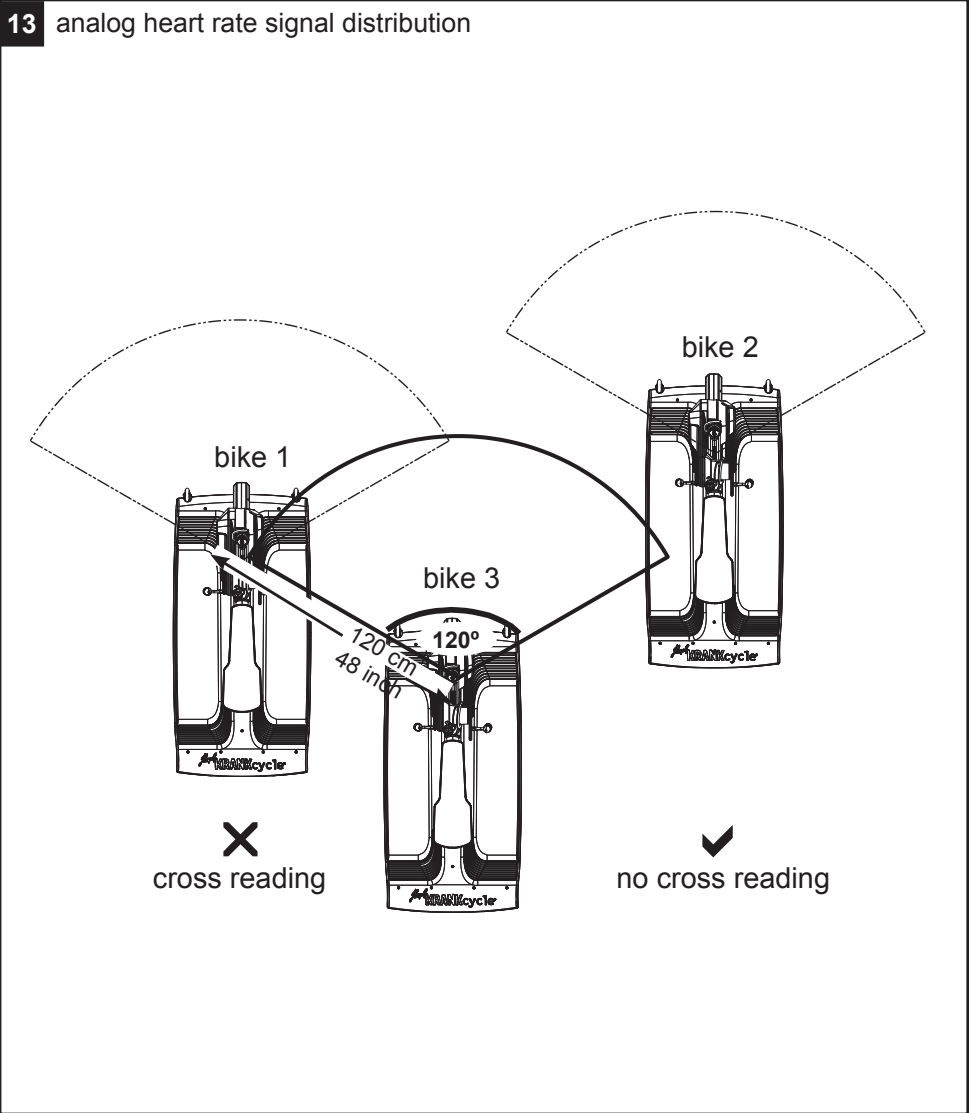
11

Frame Bracket Assembly: Place Bracket onto frame and water bottle cage onto bracket; replace water bottle cage screws with the screws provided. Secure new warning decal over existing decal so that it's clearly visible.

12 digital cadence signal distribution



13 analog heart rate signal distribution



Specifications

Technical Features:

- Wireless Data Transmission only via chest belt (16 channel digital cadence and analogue heart rate 5,4khz \pm 10%)
- Compatible with analog Polar heart rate transmission (integrated chest belt receiver)
- Display background illumination (5 seconds)
- Simple operation via Sun and Flow button
- Premium design
- Superior handlebar mounting bracket
- Optional setting for miles or kilometers

Training Features:

- Heart Rate reading (actual and average)
- Cadence / RPM reading (actual and average)
- Training Time
- Distance
- Calorie Consumption (the shown calorie consumption is based on average values and should only be used for reference purposes)
- Scan functionality for time, distance and calories

COMMERCIAL KRANKCYCLE COMPUTER**Before you start your training:**

- Make sure the channel setting of the console is in sync with the cadence transmitter setting to allow proper cadence reading
- Turn on the computer console by pressing any of the two buttons (Sun or Flow)
- Test if the console reads and displays your HR signal transmitted from your personal HR chest belt properly
- The blinking of the Heart symbol on the computer display indicates the reception of a compatible analog HR signal
- It may take up to 3 seconds before the actual HR data is displayed
- Choose your desired units, Miles or Kilometers

How to operate:**Miles/kilometers setting:**

- Press the “sun” button for 5 seconds to enter setup mode. Change unit setting from Miles to Kilometers by pressing the “flow” button and confirm your choice by touching the “sun” button again for 1 second.

Reset user data:

- Press the “flow” button for 3 seconds to reset all currently stored user data such as time, distance and Kcal, average HR and RPM.

Engage light function:

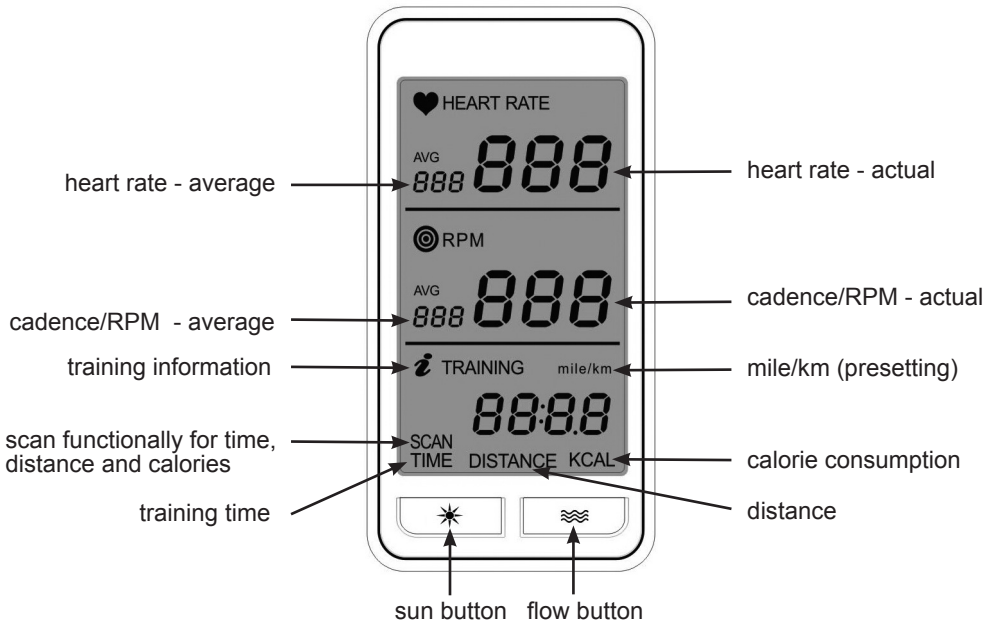
- While operating the “sun” button briefly during exercise, the display illuminates and automatically turns off after 5 seconds.

Training info:

- Choose your desired training information displayed on the lower part of the computer LCD by operating the “flow” button briefly during exercise. The display will shift between time, distance, calories and scan.
- If you choose the Scan mode the display will alternate between time, distance and calories.

WARNING!

Heart rate monitoring systems may be inaccurate. Over exercise may result in serious injury or death. If you feel faint, stop exercising immediately.



COMMERCIAL KRANKCYCLE COMPUTER

The batteries may not:

- come in contact with fire
- come in contact with coins or other metal objects
- be used together with older batteries
- be used with other makes or different types

If you don't use the equipment for a long period of time, please remove the batteries to avoid any damage from leaking or corroding batteries. If batteries have discharged, remove all residue immediately and insert new batteries into the computer. If you come into contact with residue, remove carefully.

If possible please use rechargeable batteries to help save the environment. Before scrapping, please take the batteries out of the computer.



Products or batteries labeled with this symbol may not be disposed of with normal domestic refuse. For professional disposal please review relevant local laws or guidelines for the disposal of electrical devices and batteries and act accordingly.

Indoorcycling Group GmbH warrants that all new equipment will be free of manufacturing defects in workmanship and materials, becoming effective on the date of original installation. The wireless commercial computer ST 020120KC / 020120KC is developed for the use in professional group class environments and therefore designed for commercial applications. Improper assembly, use or mechanical damage can void the warranty terms.

LIMITED WARRANTY

Wireless Commercial Computer

1 Year warranty : Cadence transmitter and computer console

Batteries are excluded from any warranty.



KZONE